

# Magic Wallet

Designed by Yami Yamaguchi ©1997

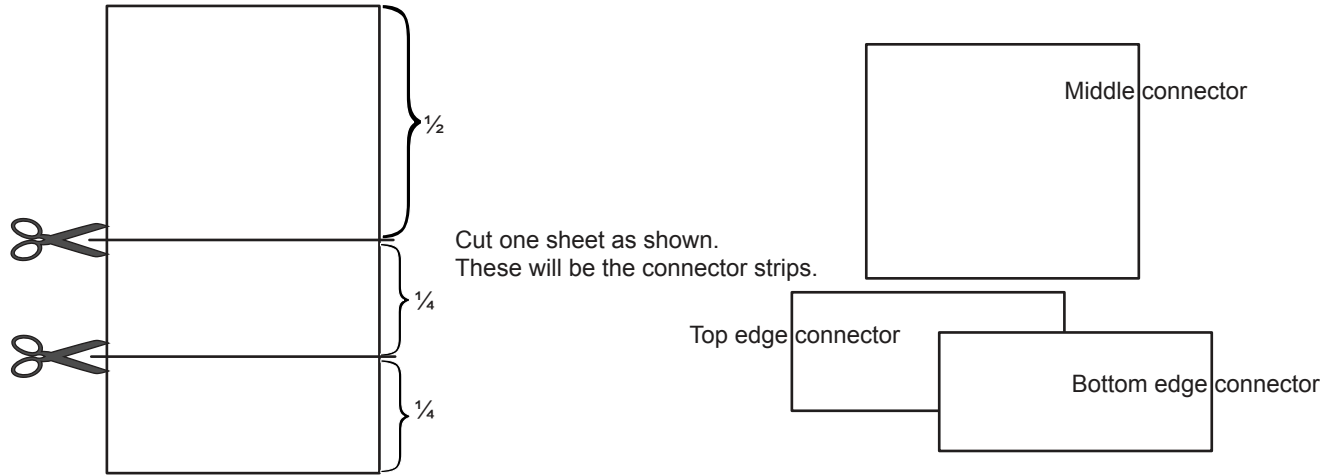
Diagrammed by Mari Michaelis ©2010

This diagram is sized for US Dollar bills.

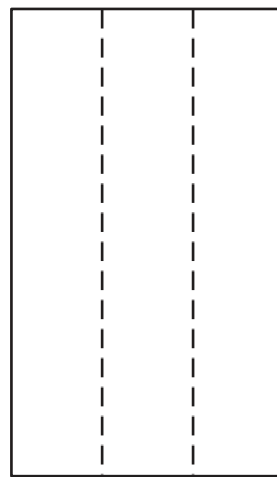
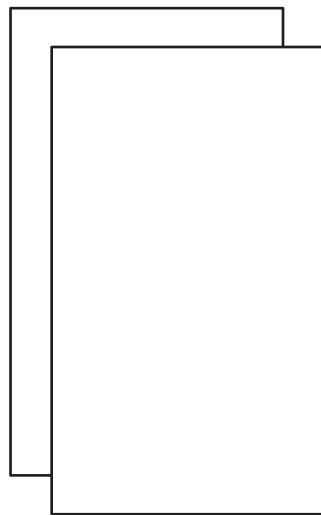
- Uses 3 sheets of 18 x 10½ inch paper.\* Works well with craft paper. Finished size is 6½ x 3½.

*\*See page 4 for smaller version instructions*

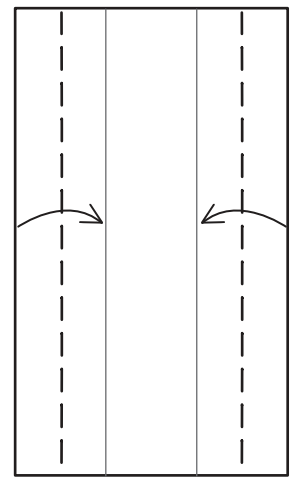
⊖ If using 2 color paper, start White side up. Make all creases sharp.



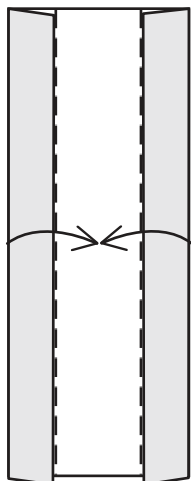
Fold the other 2 sheets as follows:



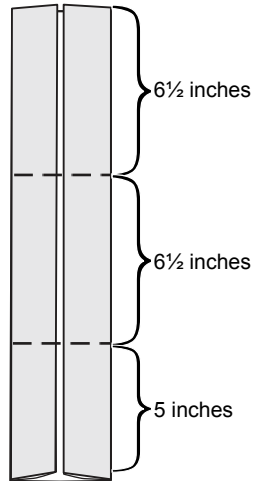
1. Valley fold in 3rds. Unfold.



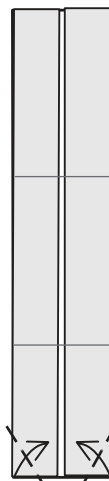
2. Valley fold to the crease.



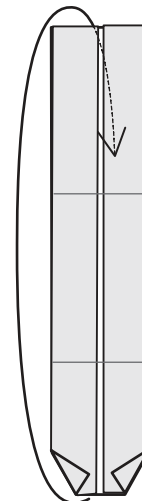
4. Valley fold the sides in using the existing crease.



5. Valley fold into 3 sections. Unfold.



6. Taper the ends with valley folds.



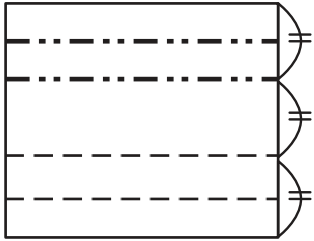
7. Close the unit by inserting the bottom into the top, folding on existing creases.



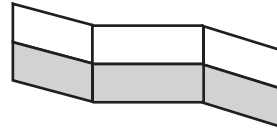
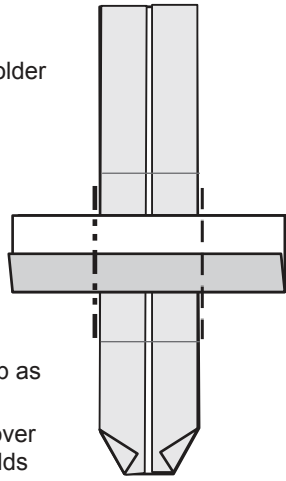
8. Unfold back to the beginning of step 7.

Folding the connector strips:

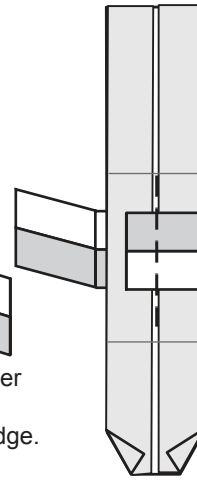
Middle Connector - credit card holder



1. Fold the middle connector strip as indicated above.
2. Center the middle connector over one of the units and make the folds along the edges.

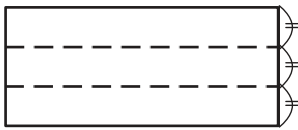


3. Put the connector under the unit and valley fold it along the unit's center edge.

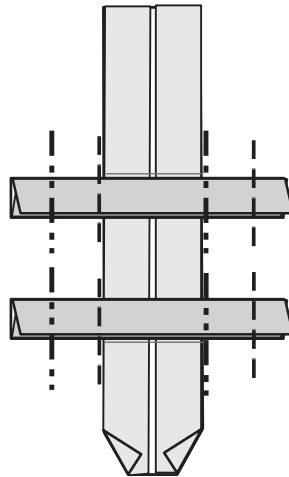


4. Turn the connector over and repeat step 3 on the left side.

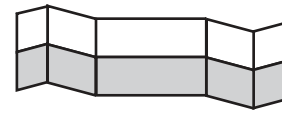
Edge Connector strips (2)



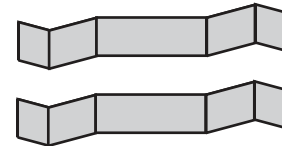
1. Fold the edge connector strips as indicated.
2. Center the connectors over the unit and make the folds opposite from the middle connector.



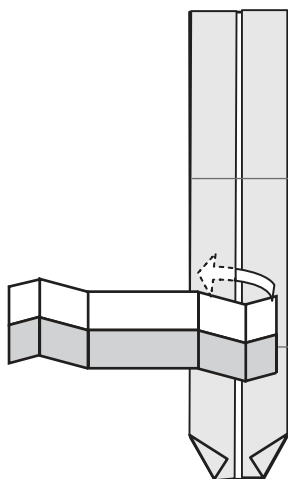
Completed Middle connector:



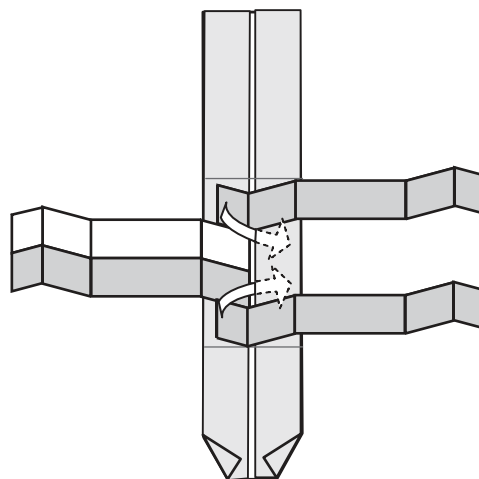
Completed Edge connectors:



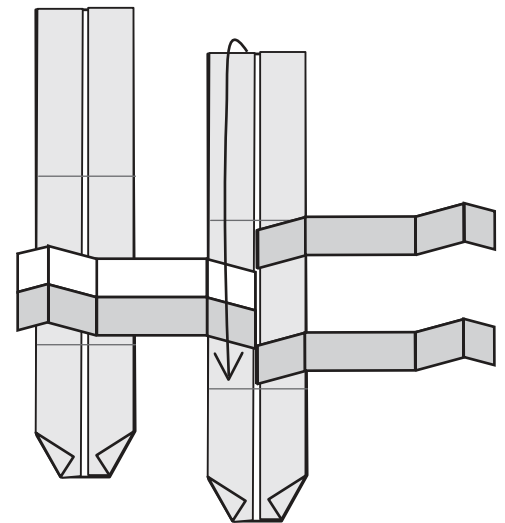
Assembly:



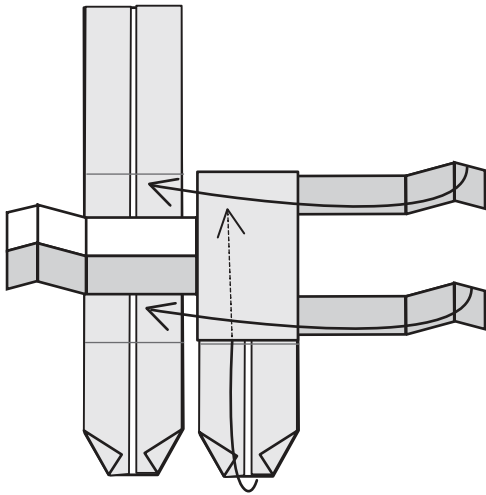
1. Insert the the middle connector up to the mountain crease under a unit's left flap.



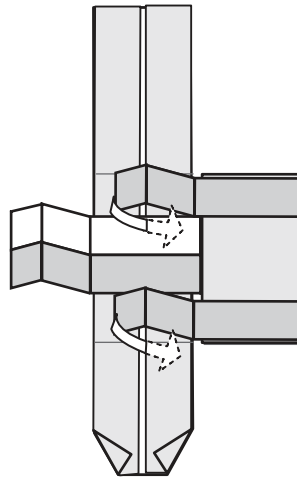
2. Insert the left sections of the edge connectors along the mountain crease under the unit's right flap.



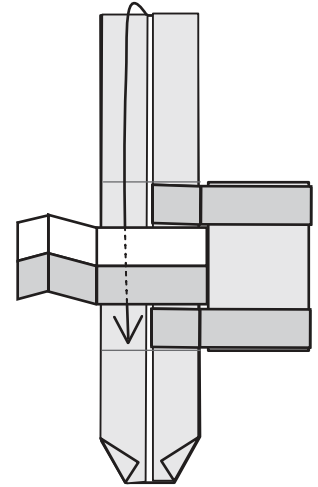
3. Fold the top section of the unit down on the valley crease. Place the other unit on the left under the middle connector.



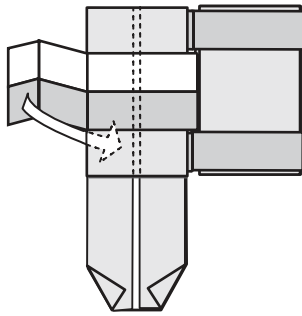
4. Fold the edge connectors to the left and close up the unit.



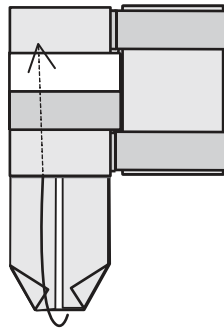
5. Fold the ends of the edge connectors under the right flap of the left unit.



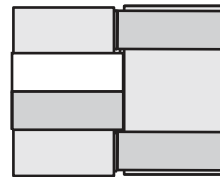
6. Fold the top section of left unit down under the middle connector.



7. Insert the end section of the middle connector under the unit's back left side flap.

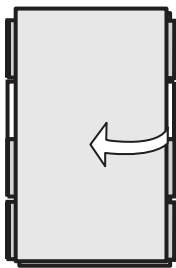


8. Close up the left unit.

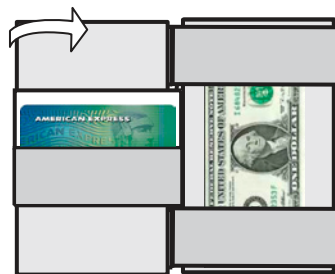


Wallet complete!

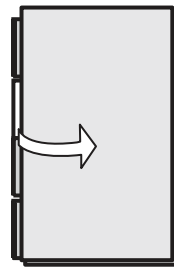
How it works:



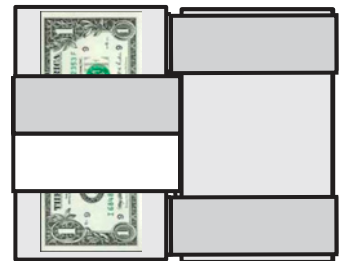
Open the wallet to the left.



Insert a credit card into the middle connector's pocket. Slip a dollar bill under the edge connectors. Close the wallet.



Open the wallet again, but this time open it from the left side.



The dollar bill has moved and the credit card has disappeared!

# Magic Wallet Small Version

If you want to use scrap book paper that comes in the standard 12"x12" size, this version has measurements that will work with it. A credit card will still fit in it but the money has to be folded in half.

- Uses 3 sheets cut to 12 x 10½ inches. Finished size is 4½ x 3½.

Cut the connector sheet into 3 pieces the same way: 1/2, 1/4, 1/4.

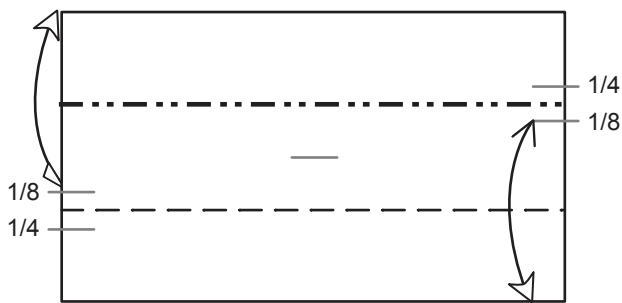
Follow the directions for folding the 2 units, replacing Step 5 with these measurements:

The Middle Connector needs to be folded differently. The paper size is 6" x 10½. Replace Step 1 with the following:

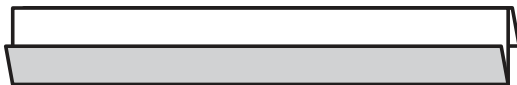


1. Make pinch creases:

- a) pinch horizontal center (1/2)
- b) fold edges to center (1/4)
- c) fold edge to opposite 1/4 pinch (inner 1/8)

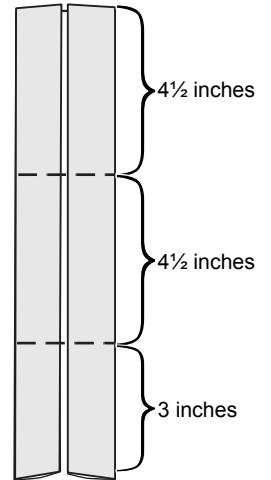


Valley fold the bottom edge to the opposite 1/8 pinch. Unfold. Mountain fold the top edge to the opposite 1/8 pinch. Unfold.

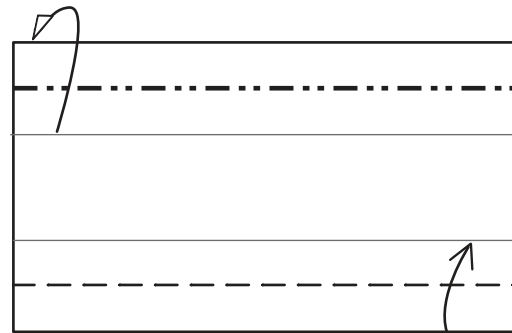


Continue with Step 2.

Fold the edge connectors and assemble in the same way as the full size wallet.



5. Valley fold into 3 sections. Unfold.



Valley fold the bottom edge to the crease. Mountain fold the top edge to the crease. Fold the edges in to the center on the existing creases.

